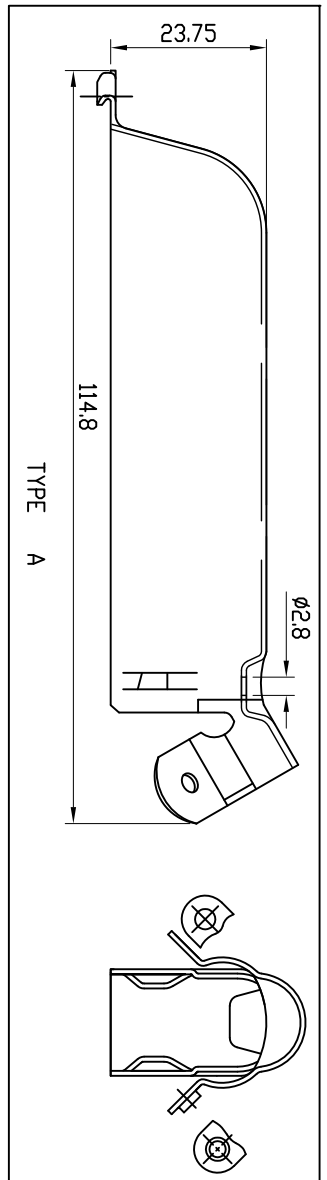
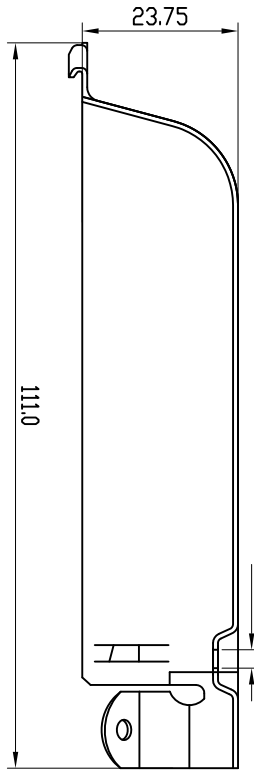
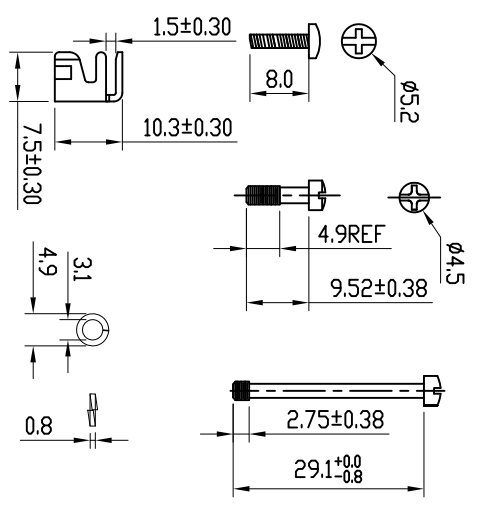
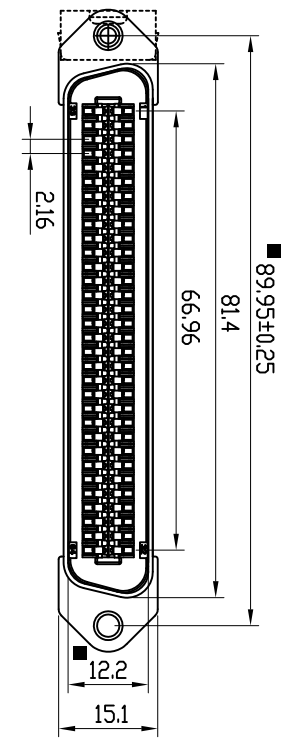
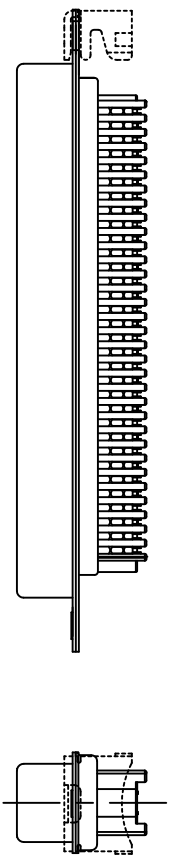


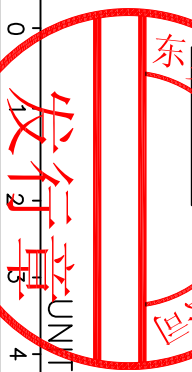
REV	DATE	DESCRIPTION
C	2012-9-17	增加TYPE A
D	2015-12-26	配件螺丝规格变更



Material & finish
SHELL:
steel Zinc plated, Tin plated
or Nickel plated steel
PIN CONTACT:
Phosphor bronze or brass
Gold Plated
INSULATOR:
PBT & Glass-fibre reinforced
UL-94-V0
CURRENT RATING:5Amp
DIELECTRIC STRENGTH:
1000V for one minute
INSULATOR RESISTANCE:
1000MΩ MIN.(at 500V DC)
CONTACT RESISTANCE:25mΩ Max. mated
TEMPERATURE:
-55°C to +105°C

57R1 64 P I * A 0 072
FILE NO:001-1000
CONTACT LENGTH(MM):
A:2.6 B:2.7 C:2.8
D:3.0 E:3.2 F:4.75 0-N/A
SHELL:
A: NICKEL PLATED
CONTACT PLATING:
A:GOLD FLASH B:3U " C:5U"
D:10U" E:15U" F:30U"
INSULATOR COLOR:
B:BLUE K:BLACK

东莞市复禹电子有限公司
DONG GUAN FUYCONN ELECTRONICS CO., LTD



FUYCONN
东莞市复禹电子有限公司
DONG GUAN FUYCONN ELECTRONICS CO., LTD

MODEL NAME:
57- 64P公单芯刺破式X
型+70640矮型大铁壳

SELECT	DIM	TOL	1	2	3	EXTRA
0.00	0.05	0.10	✓	✓	✓	✓
0.00	0.10	0.15	0.20	0.30	0.40	✓
0.0	0.15	0.25	0.30	0.40	0.50	✓
0.	0.25	0.30	0.40	0.50	0.60	✓
ANGLE	1.0°	3.0°	5.0°			✓

PART NO: 57R164PI*A0072
APPROVED BY:
CHECKED BY:
DRAW BY: 韦锋
SCALE: 1 : 1
DATE : 2012-07-26